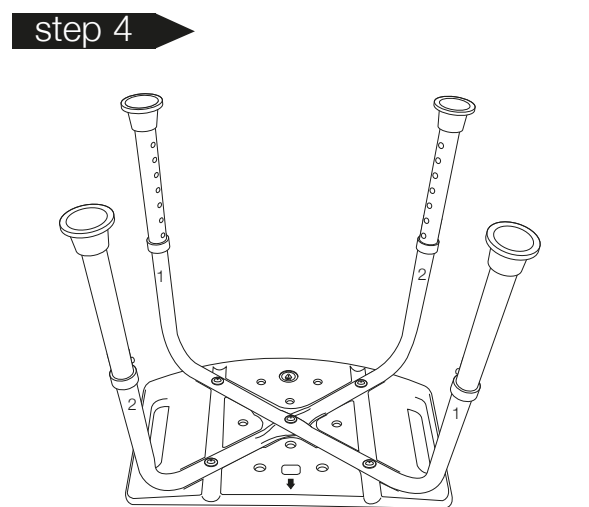
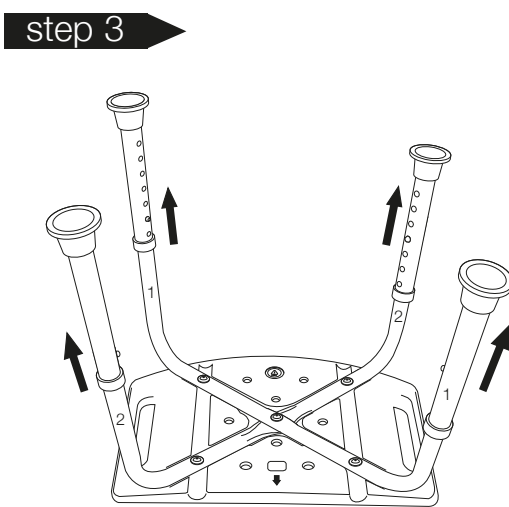
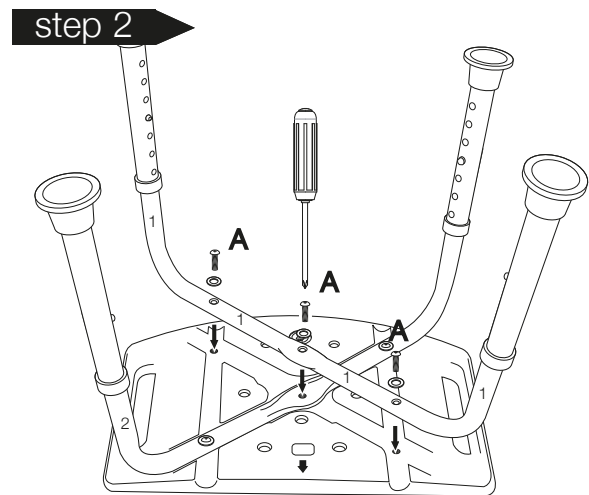
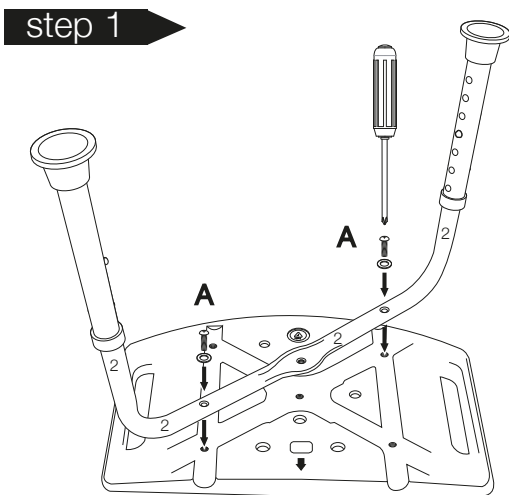
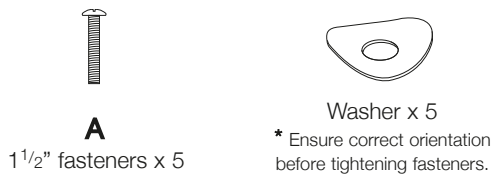


Assembly Instructions for : 02300

Freestanding Shower Stool



Assembly Instructions for : 02310

Freestanding Shower Stool with Back



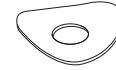
A

1 1/2" fasteners x 5



B

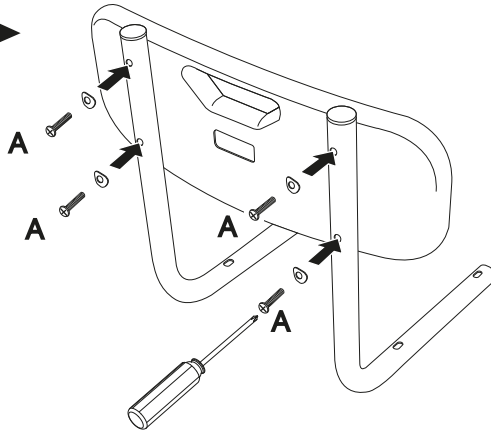
2 1/2" fasteners x 4



Washer x 9

* Ensure correct orientation before tightening fasteners.

step 1



step 2

